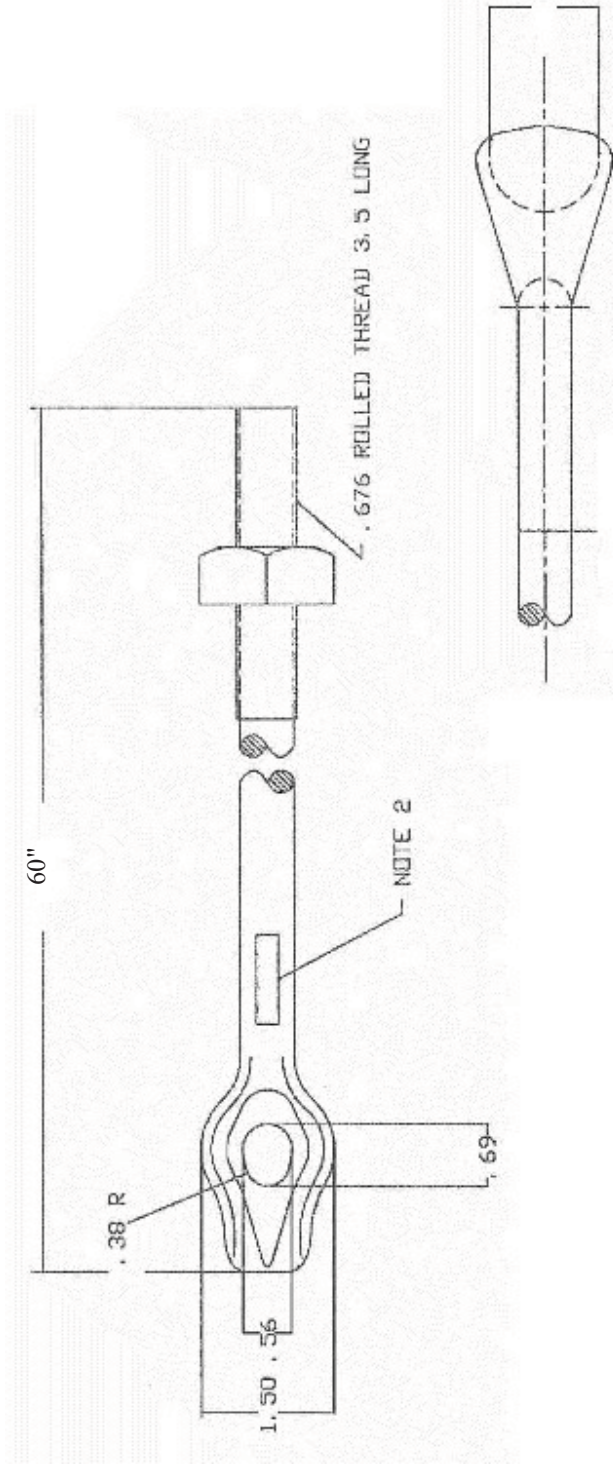



This drawing and the information contained herein are the confidential and proprietary property of Global Supply LLC



- NOTES: 1. H.D.G. PER ASTM SPEC A153  
 2. STENCIL ROD BEFORE GALVANIZING W/1/4" FLAT CHARACTERS.  
 MUST BE READABLE AFTER GALVANIZING.

<b>DRAWING SCALE:</b>		<b>MATERIAL:</b>	<b>DESCRIPTION:</b>
<b>STANDARD</b>			<b>Rod, Thimble Eye, Threaded, 60. A, C-5/8-5 Stencil</b>
<b>TOLERANCES:</b> <i>Unless specified otherwise, all dimensions are in inches</i>	<b>x.xxx</b> +/- 0.005 <b>x.xx</b> +/- 0.010 <b>x.x</b> +/- 0.010	<b>FINISH:</b>	<b>PART NUMBER:</b>
		<b>H.D.G.</b>	<b>5315</b>
<b>DRAWN BY:</b>	<b>L. CLARY</b>	<b>FCSM No.</b>	
<b>REV:</b>	<b>APPROVAL</b>	<b>67012</b>	
<b>INITIAL</b>	LJA	<b>ECCN</b>	
		<b>EAR99 = NLR (No License Required)</b>	
 <b>Global Supply LLC</b> WORLDWIDE SUPPLIER OF ELECTRONIC HARDWARE, FASTENERS & COMPONENTS <small>500 Division Street, Campbell, CA 95008-6906          Tel: 408 960 0370 Fax: 408 960 0375 Web: www.globalsupply.com</small>			